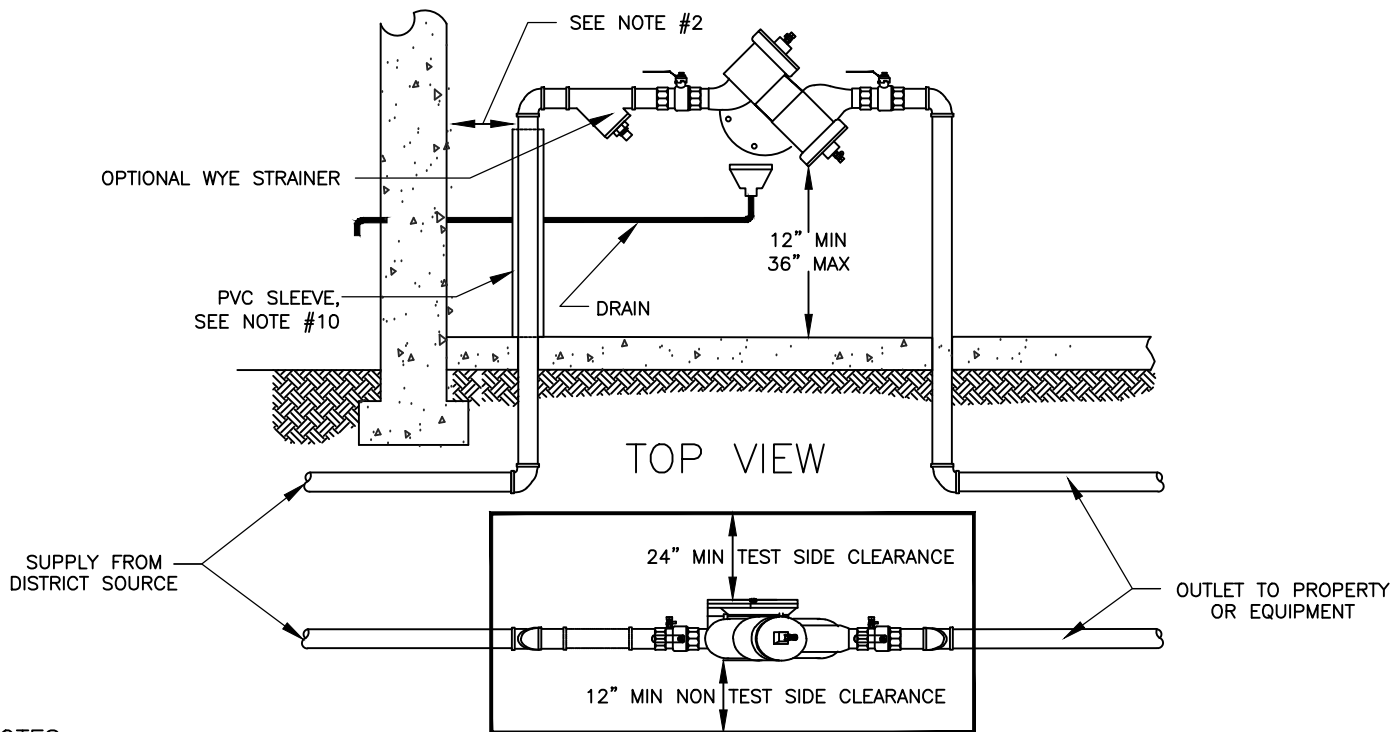


SIDE VIEW



NOTES:

- 1) BACKFLOW ASSEMBLY MUST MEET DISTRICT SPECIFICATIONS, CALL BEFORE ORDERING.
- 2) ASSEMBLIES MUST BE INSTALLED ABOVE GRADE IN A HORIZONTAL POSITION. ASSEMBLIES PLACED OUTSIDE OF THE STRUCTURE SHALL BE INSTALLED BETWEEN THE WATER METER AND THE FOUNDATION OF THE STRUCTURE. ASSEMBLIES PLACED INSIDE THE STRUCTURE SHALL BE INSTALLED WITHIN TWENTY FOUR INCHES (24") OF WHERE THE SERVICE ENTERS THE STRUCTURE.
- 3) ENCLOSURE FOR OUTDOOR OR INDOOR PROTECTION OF THE ASSEMBLY IS ALLOWED, BUT MUST PROVIDE IMMEDIATE TOP ACCESS OF TWELVE INCHES (12") FOR TESTING AND MAINTENANCE.
- 4) TEST COCKS ARE REQUIRED TO FACE AWAY FROM WALLS AND NEAREST STATIONARY OBJECT AND AT NO TIME BE LESS THAN TWENTY FOUR (24") CLEARANCE.
- 5) THERE MUST BE NO BRANCH PIPING CONNECTED TO THE SUPPLY PIPE BETWEEN THE DISTRICTS SUPPLY AND THE ASSEMBLY.
- 6) ALL MEASUREMENTS ARE FROM THE LOWEST OR WIDEST PART OF THE ASSEMBLY.
- 7) ALL ASSEMBLIES ARE SUSCEPTIBLE TO FREEZING AND SHALL BE ADEQUATELY FREEZE PROTECTED.
- 8) ADEQUATE DRAINAGE FROM THE ASSEMBLY MUST BE PROVIDED.
- 9) BACK FLOW ASSEMBLY MUST BE TESTED UPON INSTALLATION BY A DISTRICT APPROVED CERTIFIED TESTER.
- 10) WHEN INSTALLED INSIDE A STRUCTURE, THE WATER SERVICE SHALL BE PROTECTED WITH A SCH 40 PVC PIPE SLEEVE (TYPICALLY ONE SIZE LARGER THAN THE WATER SERVICE).

REDUCED PRESSURE PRINCIPLE BACKFLOW ASSEMBLY 3/4" TO 2"

A
1

NO SCALE

DATE: JUL 2016
 SCALE: NO SCALE
 DRAWN: MAM
 FILE: STANDARDS
 SHEET: S3-D2

BACK FLOW PREVENTER DETAILS



SOUTH TAHOE PUBLIC UTILITY DISTRICT

Sewer . 1950 . Water A PUBLIC AGENCY
 1275 Meadow Crest Drive South Lake Tahoe, California 96150
 Phone (530) 544-6474 Fax (530) 541-4319
 WWW.STPUD.US