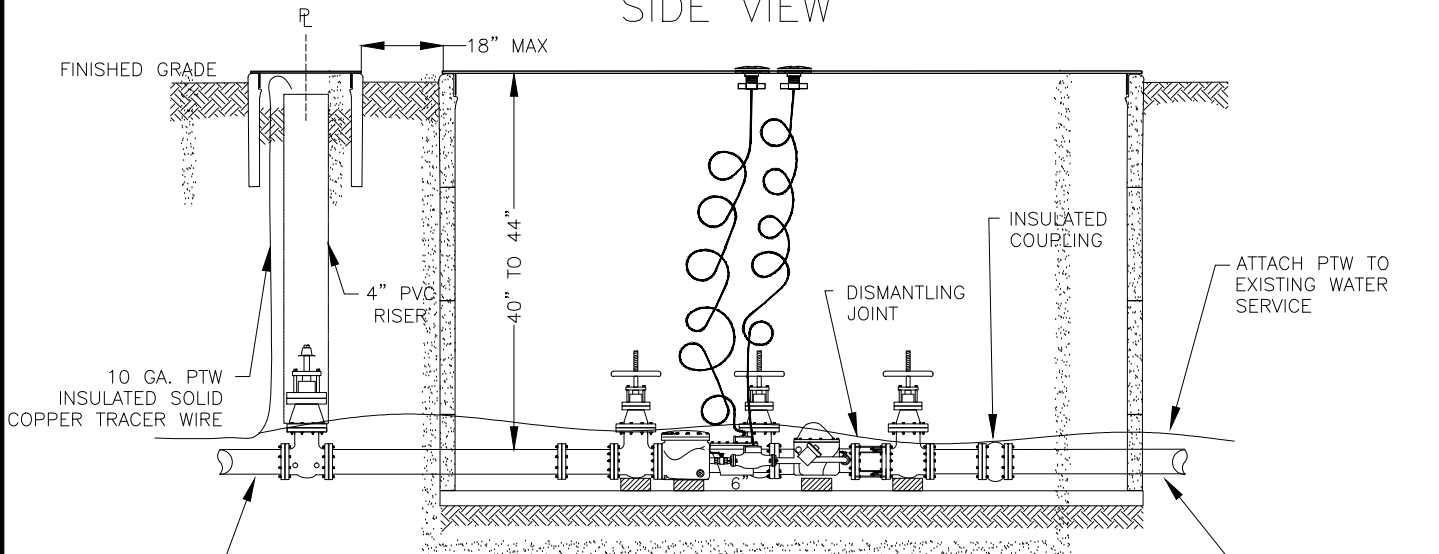
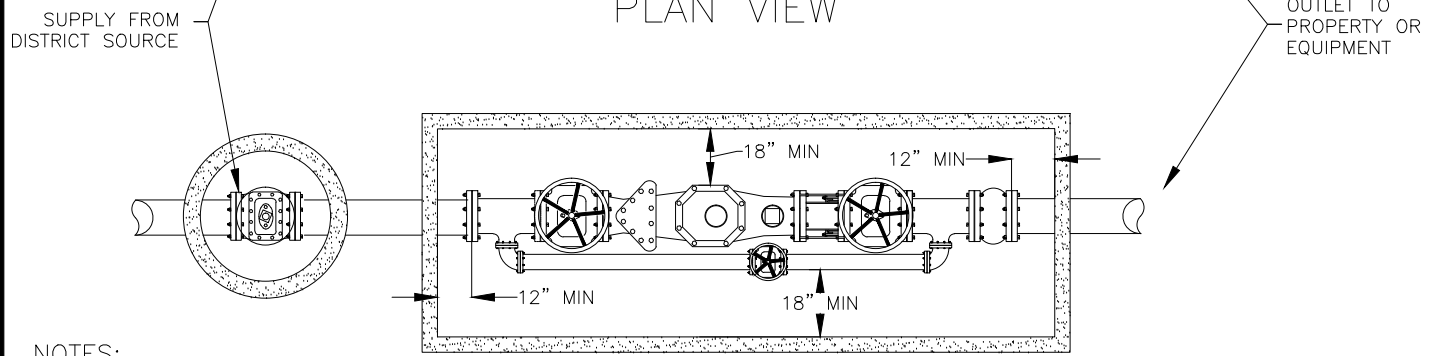


SIDE VIEW



PLAN VIEW



NOTES:

- 1) METER SHALL BE SENSUS OMNI C2 REGISTERING IN 100 CF.
- 2) METER SHALL BE INSTALLED AT A DEPTH OF NOT LESS THAN THIRTY SIX INCHES (36") AND NOT MORE THAN FORTY EIGHT INCHES (48") MEASURED FROM THE TOP OF THE METER BOX TO THE TOP OF THE SUPPLY PIPE.
- 3) REQUIRED DISMANTLING JOINT SHALL BE INSTALLED ON THE DOWNSTREAM OF METER AND UPSTREAM OF BYPASS ISOLATION VALVE.
- 4) METER BYPASS SHALL BE NO LESS THAN TWO NOMINAL PIPE SIZES LESS THAN THE METER SIZE FOR NON-CRITICAL SERVICES AND FULL METER SIZE FOR CRITICAL SERVICES.
- 5) REQUIRED INSULATED COUPLER SHALL BE LOCATED IMMEDIATELY DOWNSTREAM OF METER AND BYPASS.
- 6) METER BOX SHALL BE JENSEN PRE-CAST, SIZED TO FIT THE PIPE AND METER BEING INSTALLED WITH METAL H-20 TRAFFIC RATED LID OR APPROVED EQUIVALENT. CONTRACTOR TO INSTALL BOX WITH LID AT 1 1/2" TO 2" ABOVE THE FINISHED GRADE IN NON TRAFFIC AREAS OR 1/2" BELOW FINISHED GRADE IN TRAFFIC AREAS.
- 7) CONTRACTOR SHALL PROVIDE TWO INCH (2") RECESSED HOLE CENTERED IN METER BOX LID AND INSTALL TR/PL READER MOUNT.
- 8) METER BOX SHALL BE WITHIN EIGHTEEN INCHES (18") OF DISTRICT SERVICE VALVE BOX, UNLESS GREATER DISTANCE IS REQUIRED TO INSTALL METER BOX INSIDE OF PROPERTY LINE.
- 9) MAINLINE AND BYPASS SHUT OFF VALVES SHALL BE OS&Y VALVES.

A
1

COMPOUND METER INSTALLATION

NO SCALE

FILE: STANDARDS	DATE: MAY 2011
SHEET: S2-D5	SCALE: NO SCALE
	DRAWN: MAM

WATER SERVICE & METER DETAILS



SOUTH TAHOE PUBLIC UTILITY DISTRICT

Sewer . 1950 . Water A PUBLIC AGENCY
1275 Meadow Crest Drive South Lake Tahoe, California 96150
Phone (530) 544-6474 Fax (530) 541-4319
WWW.STPUD.US