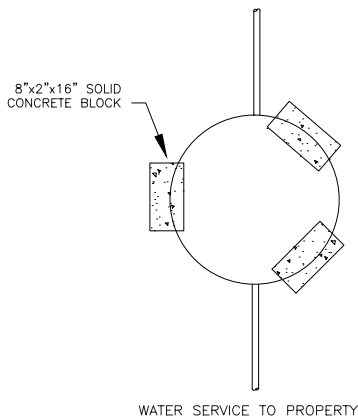
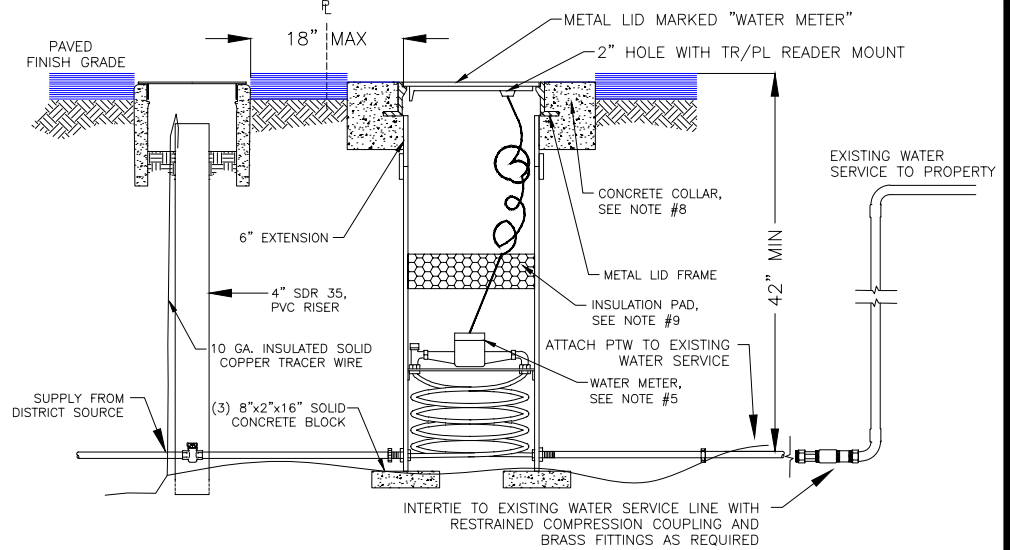


# PLAN VIEW



# PROFILE VIEW



## NOTES:

- 1) METER PITS SHALL BE INSTALLED ON THE CUSTOMER SIDE OF THE PROPERTY LINE, AS CLOSE TO PROPERTY LINE AS POSSIBLE
- 2) METER PIT FOR SINGLE THREE QUARTER INCH (3/4") WATER SERVICE SHALL BE MUELLER 15" SINGLE COIL METER PIT, MODEL #203CS1536FFBNN OR APPROVED EQUAL.
- 3) METER PIT FOR ONE INCH (1") WATER SERVICE SHALL BE MUELLER 18" SINGLE COIL METER PIT, MODEL #330CS1836FFBNN OR APPROVED EQUAL.
- 4) FOR DOUBLE 3/4" WATER SERVICE CONTRACTOR SHALL INSTALL ONE MUELLER 15" COIL METER PIT PER WATER SERVICE, MODEL #203CS1536FFBNN OR APPROVED EQUAL.
- 5) METER SHALL BE SENSUS SR11 TR/PL, REGISTERING IN 100 CUBIC FEET (CF) FOR 3/4" METERS CONTRACTOR SHALL USE A 3/4" SHORT METER WITH A SEVEN AND ONE HALF INCH (7 1/2") LAY LENGTH. FOR 1" METERS CONTRACTOR SHALL USE THE STANDARD TEN AND THREE QUARTER INCHES (10 3/4") LAY LENGTH METER.
- 6) ALL METER PITS SHALL HAVE ONE SIX INCH (6") EXTENSION.
- 7) INLET SIZE SHALL BE AS REQUIRED TO MATCH WATER SERVICE AND METER SIZE.
- 8) METER PITS PLACED IN TRAFFIC OR PARKING AREA SHALL HAVE A METAL LID FRAME MUELLER MODEL #700097 FOR FIFTEEN INCH (15") AND #700098 FOR EIGHTEEN INCH (18") METER PITS. CONTRACTOR SHALL PLACE SIX INCH (6") BY EIGHT INCH (8") CONCRETE COLLAR AROUND METAL LID FRAME. CONCRETE SHALL BE A 3,000 PSI MIN. BOXES LOCATED IN TRAFFIC AREAS SHALL BE INSTALLED HALF AN INCH (1/2") BELOW FINISHED GRADE.
- 9) FOUR INCH (4") INSULATION PAD SHALL BE MUELLER #790022 FOR FIFTEEN INCH (15") METER PITS AND MODEL #790153 FOR EIGHTEEN INCH (18") METER PITS, OR APPROVED EQUAL.
- 10) ALL METER PITS SHALL HAVE A METAL LID MARKED "WATER METER", WITH A TWO INCH (2") HOLE, MUELLER MODEL #70017-1 FOR 15" METER PIT, MUELLER MODEL #700178-1 FOR 18" METER PIT OR APPROVED EQUAL.
- 11) ALL BACKFILL AROUND METER PIT, SHALL BE PLACED IN TWELVE INCH (12") LIFTS OF CLASS TWO AGGREGATE BASE COMPACTED TO 95% RELATIVE COMPACTION.
- 12) CONTRACTOR SHALL PROVIDE THREE (3) 8"x2"x16" PRECAST SOLID STRUCTURAL SUPPORT BLOCKS CONFORMING TO ASTM C90 PLACED UNDER THE METER PIT.

## METER PIT— WITHIN TRAFFIC AREA

NO SCALE



DATE: MAR 2010  
 SCALE: NO SCALE  
 DRAWN: MAM  
 FILE: STANDARDS  
 SHEET: S2-D7

# WATER SERVICE & METER DETAILS



SOUTH TAHOE PUBLIC UTILITY DISTRICT

Sewer . 1950 . Water A PUBLIC AGENCY  
 1275 Meadow Crest Drive South Lake Tahoe, California 96150  
 Phone (530) 544-6474 Fax (530) 541-4319  
 WWW.STPUD.US